

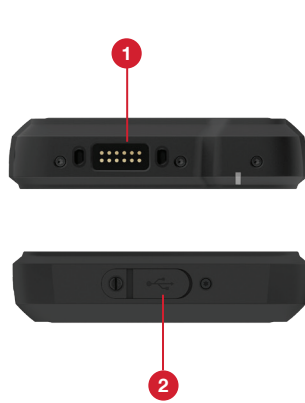
## GETTING STARTED WITH YOUR NEW XP8



DOWNLOAD THE USER GUIDE AT [WWW.SONIMTECH.COM](http://WWW.SONIMTECH.COM)



1. Sonim XPand Connector
2. USB-C
3. Volume Up / Down
4. Power On & Off
5. PTT Button
6. Speakers
7. Back
8. Home
9. App Tray
10. Display
11. Notification Bar
12. Front Facing Camera
13. LED Notification
14. Receiver
15. Sonim SecureAudio Connector
16. Programmable Button
17. Emergency Button
18. Charging Pins
19. Battery Door
20. Battery Under Door
21. Memory Card Slot Under Battery
22. SIM Card Slots Under Battery
23. Rear Facing Camera
24. Rear Flash

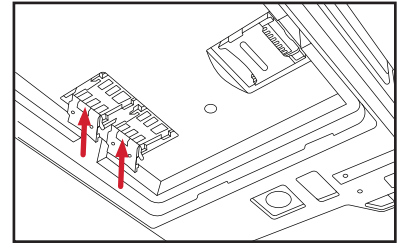


### INBOX COMPONENTS

Sonim XP8  
Battery  
Wall Charger  
USB-C Cable  
Screwdriver  
Quick Start Guide



## SONIM XP8 QUICK START GUIDE



### HOW TO INSERT THE SIM CARD

**Step 1** Use the included screwdriver to unscrew the battery door screw on the back of the phone.

**Step 2** Remove battery door and battery.

**Step 3** Open either SIM card tray, insert SIM card and lock SIM card tray into place.

### INITIAL PHONE SET-UP

Ensure that a valid SIM card is inserted in your phone. Press and hold Power On / Off key to turn power On. After the phone successfully registers with the network, the name of the service provider is displayed in the Navigation Bar. When powering the phone On for the first time, a Welcome Screen is displayed. To set up the phone, select Start and follow the instructions shown on the phone screen. After the initial phone set-up is complete, the Home Screen is displayed.

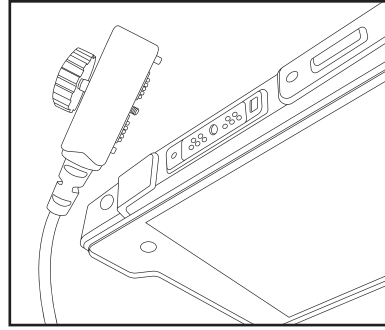
### MAKE A CALL

From Home Screen, select the Phone app. Use the keypad or select a Contact. Select the green Phone button to enable call.

### SET-UP WIFI

From Home Screen, open App tray: Settings > WLAN > On > choose network > enter password > Connect

### USING YOUR SONIM SECUREAUDIO CONNECTOR



Provides a secure-connection and power for ultra-reliable, ultra-loud and ultra-clear mission critical audio products. Visit [www.sonimtech.com](http://www.sonimtech.com) for a broad portfolio of Sonim certified accessories, including remote speaker microphones, headsets, 3.5mm adapter, holsters, multi-bay chargers, vehicle kits, and more. Accessories sold separately.

### SONIM SCOUT

Take full advantage of your Sonim XP8 by utilizing the SCOUT assistant on your phone and registering your company on Sonim Cloud [www.sonimcloud.com](http://www.sonimcloud.com).



**3 YEARS WARRANTY**

Sonim Technologies provides a 3-Year comprehensive warranty on the phone, and a 1-Year warranty on the battery. For more information related to the warranty, please contact your service provider.



**SUPPORT**  
Email: [SolincustomerSupport@sonimtech.com](mailto:SolincustomerSupport@sonimtech.com)  
Phone: 1-800-406-0151